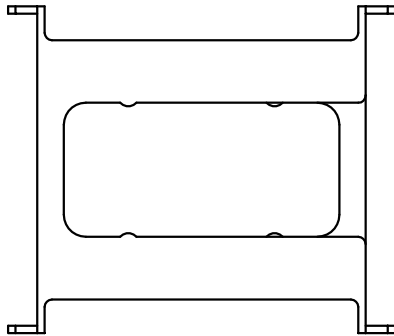
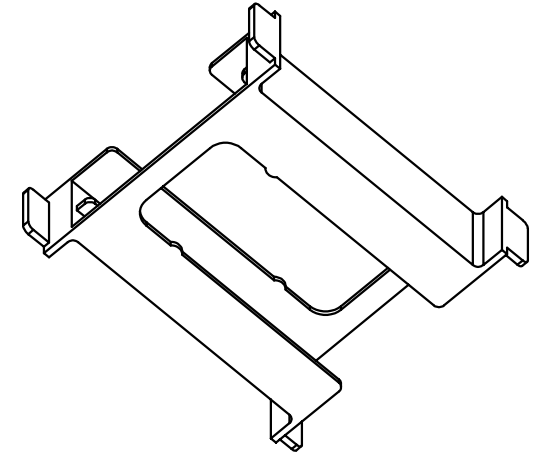
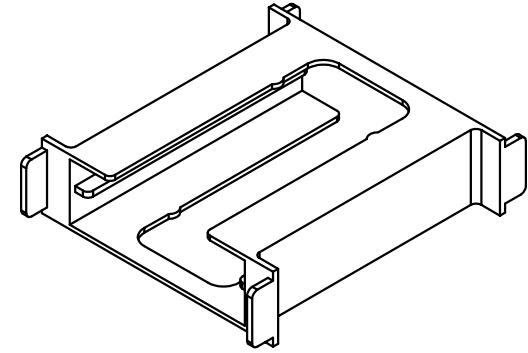


SECTION A-A



▲							
▲							
▲							
▲							
MARK	REVISION NOTE			DATE	DRAWN	CHECKED	APPROVED
DRAWN	CHECKED	APPROVED	MATERIAL : PET(BK)	UL REC. : UL94V-0	THIRD ANGLE PROJ.	SCALE : 1/1	
B M, Won	D B, Han	J B, Lim		DATE : 2012.04.17	TOLERANCE : ±0.2 (Unless otherwise specified)	UNIT : m/m	
주식회사 대흥보빈 DAE HEUNG BOBBIN CO., LTD			TITLE EE 41*17 "V" (7P) CAP		DWG NO DH-120510-2088-02		